

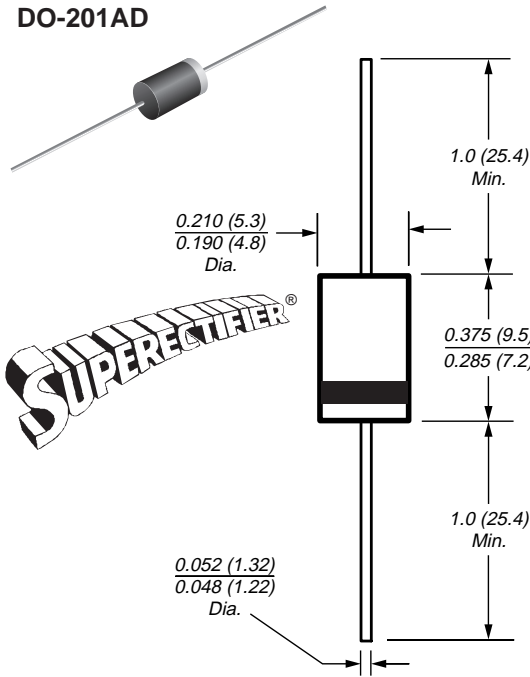


Glass Passivated Junction Plastic Rectifiers

Reverse Voltage
200 to 1300V

Forward Current 3.0A

DO-201AD



*Patented**

Features

- Plastic package has Underwriters Laboratories Flammability Classification 94V-0
- High temperature metallurgically bonded construction
- Cavity-free glass passivated junction
- Capable of meeting environmental standards of MIL-S-19500
- 3.0 Ampere operation at $T_A=55^\circ\text{C}$ with no thermal runaway
- Typical I_R less than $0.1\mu\text{A}$
- High temperature soldering guaranteed: $350^\circ\text{C}/10$ seconds, 0.375" (9.5mm) lead length, 5 lbs. (2.3kg) tension

Mechanical Data

Case: JEDEC DO-201AD, molded plastic over glass body

Terminals: Plated axial leads, solderable per MIL-STD-750, Method 2026

Polarity: Color band denotes cathode end

Mounting Position: Any

Weight: 0.04 oz., 1.12 g

Packaging Codes/Options:

1/Bulk – 1.5K per container, 15K/box

4/1.4K per 13" reel, 5.6K/box

23/1K per ammo mag., 9K/box

Dimensions in inches and (millimeters)

**Glass-plastic encapsulation technique is covered by*

Patent No. 3,996,602 and brazed-lead assembly by Patent No. 3,930,306

Maximum Ratings & Thermal Characteristics Ratings at 25°C ambient temperature unless otherwise specified.

Parameter	Symbol	BY251GP	BY252GP	BY253GP	BY254GP	BY255GP	Unit
Maximum repetitive peak reverse voltage	V_{RRM}	200	400	600	800	1300	V
Maximum RMS voltage	V_{RMS}	140	280	420	560	910	V
Maximum DC blocking voltage	V_{DC}	200	400	600	800	1300	V
Maximum average forward rectified current 10mm lead length at $T_A = 55^\circ\text{C}$	$I_{F(AV)}$	3.0					A
Peak forward surge current 10ms single half sine-wave superimposed on rated load (JEDEC Method)	I_{FSM}	100					A
Maximum full load reverse current, full cycle average 10mm lead length at $T_A = 55^\circ\text{C}$	$I_{R(AV)}$	100					μA
Typical thermal resistance ⁽¹⁾	$R_{\theta JA}$	20					$^\circ\text{C}/\text{W}$
	$R_{\theta JL}$	10					
Operating junction and storage temperature range	T_J, T_{STG}	-65 to +175					$^\circ\text{C}$

Electrical Characteristics Ratings at 25°C ambient temperature unless otherwise specified.

Maximum instantaneous forward voltage at 3.0A	V_F	1.1					V
Maximum reverse current at rated DC blocking voltage $T_A = 25^\circ\text{C}$	I_R	5.0					μA
Typical reverse recovery time $I_F = 0.5\text{A}, I_R = 1.0\text{V}, I_{rr} = 0.25\text{A}$	t_{rr}	3.0					μs
Typical junction capacitance at 4.0V, 1MHz	C_J	40					pF

Note: (1) Thermal resistance from junction to ambient and from junction to lead at 0.375" (9.5mm) lead length, P.C.B. mounted

Ratings and Characteristic Curves ($T_A = 25^\circ\text{C}$ unless otherwise noted)

Fig 1 - Forward Current Derating Curve

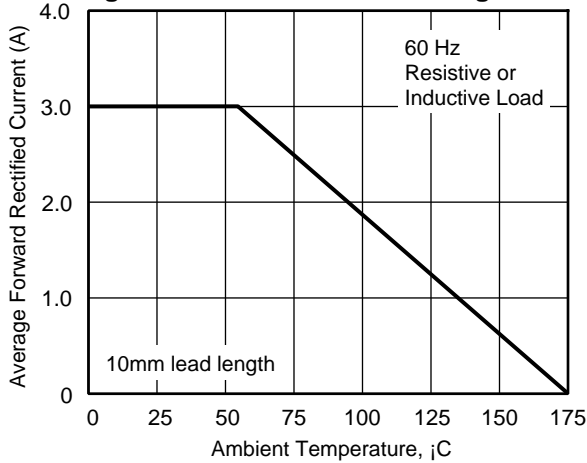


Fig 2 - Maximum Non-repetitive Peak Forward Surge Current

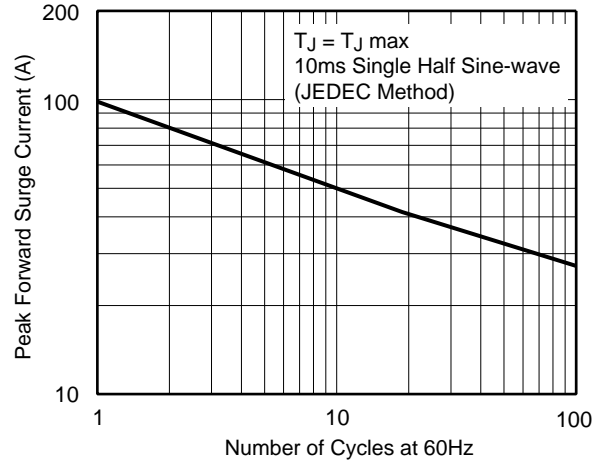


Fig 3 - Typical Instantaneous Forward Characteristics

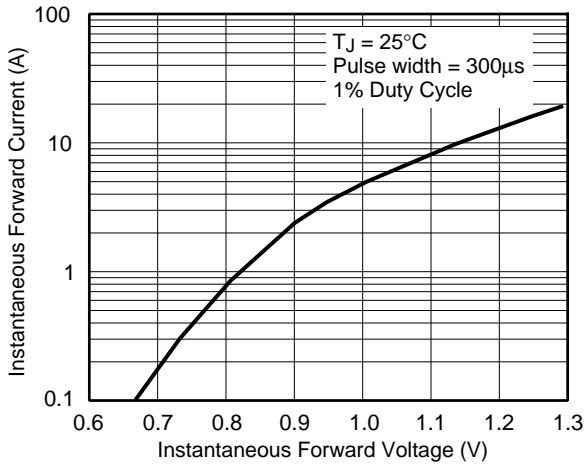


Fig 2 - Maximum Non-repetitive Peak Forward Surge Current

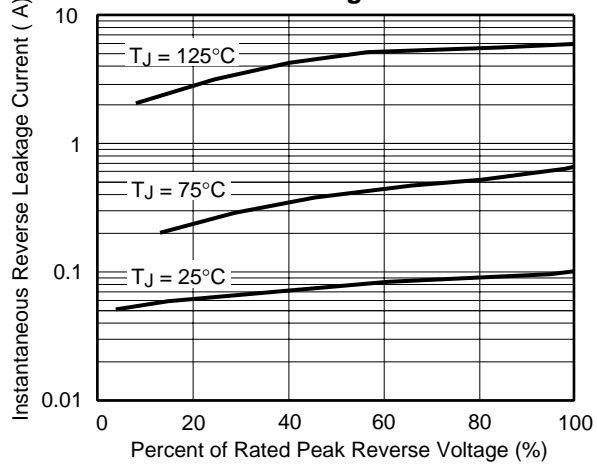


Fig 5 - Typical Junction Capacitance

